

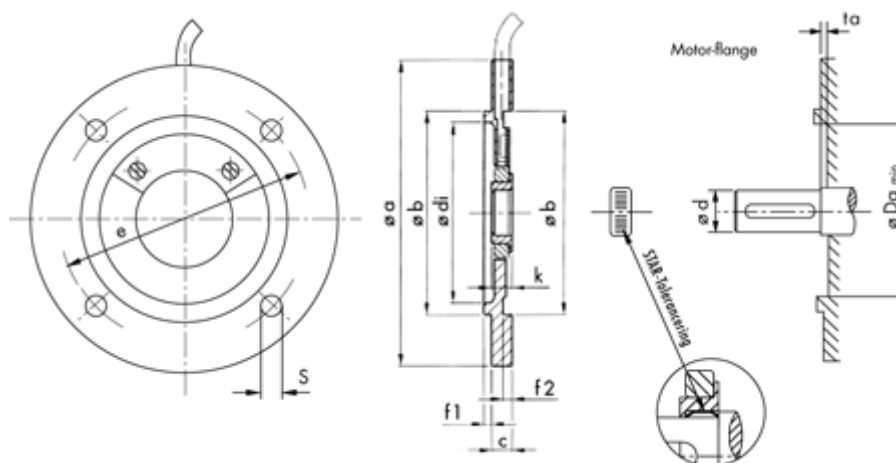
Data Sheet



Article number: 7806101400960250

Description: BEGE flangeencoder for 71B14
MN105-14-96-3 (25m) 5-24V

Measures



$a = 105$	$f2 = 3.0$
$b = 70$	$k = 7$
$c = 7$	$s = 7$
$d = 14$	$ta = 2$
$Da = 60$	
$di = 64$	
$e = 85$	
$f1 = 2.5$	